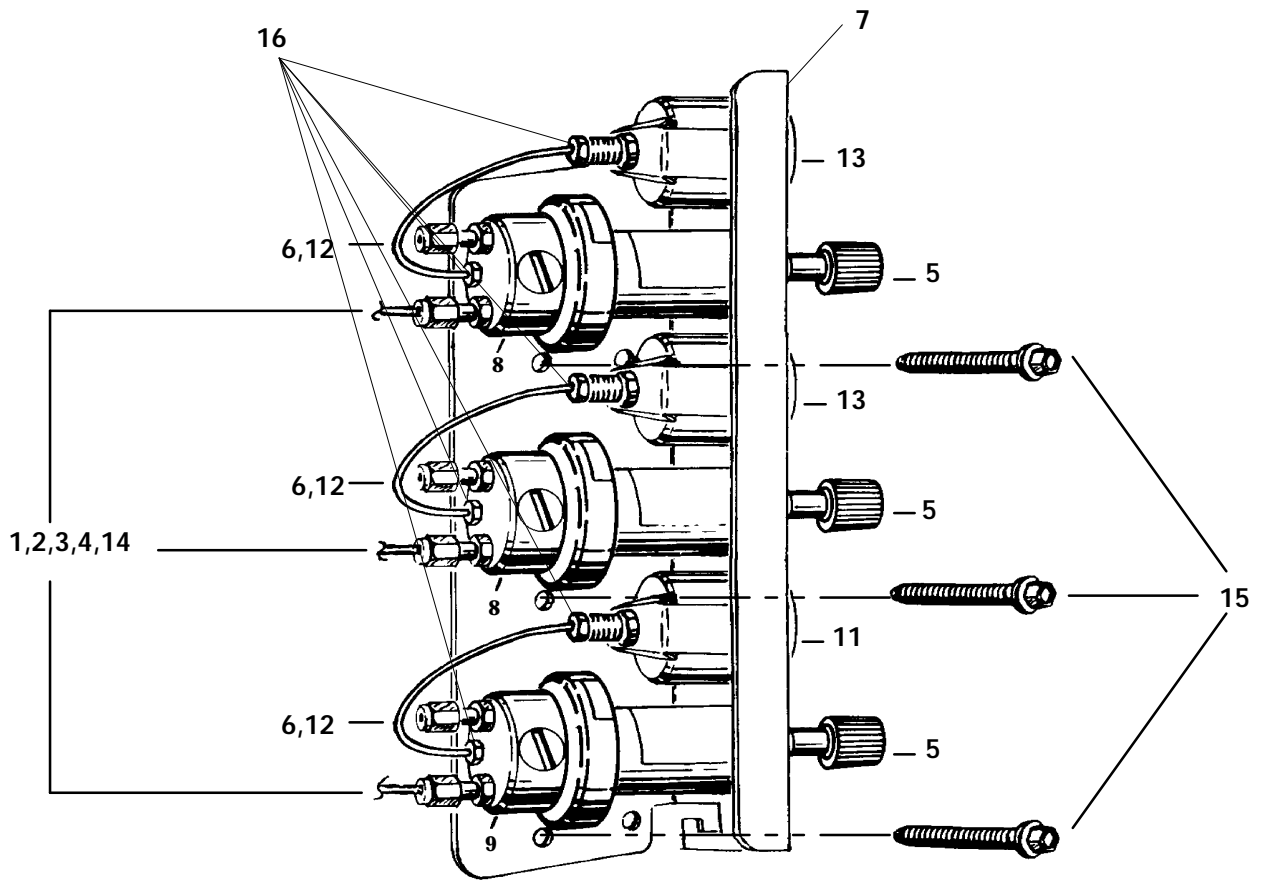


Item	Description	HP Part No.	Qty.
1	Front Ferrule, 1/8 T, brass*	0100-00326	
2	Back Ferrule, 1/8 T, brass*	0100-0036	6
3	Nut, 1/8T, brass	0100-0058	6
4	Male Connector	0100-1115	6
5	Knob, plastic, black	0370-3110	3
6	O- ring*	0905- 1039	6
	package of 12	5180- 4181	-
7	Mounting Bracket	19246-00010	1
8	Pressure Regulator, 0- 60 psi	19246-60540	2
9	Pressure Regulator, 0- 100 psi	19246-60550	1
10	Labels, Pressure Sensitive*	19246-90700	1
11	Pressure Gauge, 0- 100 psi	19361-60560	1
12	Jumper Tube, 200 mm long	19243-80550	3
13	Pressure Gauge, 0- 60 psi	19363-60500	2
14	Copper Tube, 1/8-in. od x 17 1/4 in.	5020-8256	3
15	Screw, Tapping 8- 16 x 3/4 in.	0624-0546	3
16	M8 Plastic Fitting	05890- 40050	6

*Not shown.

Figure 7. Auxiliary Flow Panel (HP 19246A) (Sheet 1 of 2).



NOTES

- ① Items 1- 4 are supplied with the pressure regulators (8 and 9).
- ② Item 10 is to be applied by the user.
- ③ Item 15 is for mounting the assembly.
- ④ During shipment, item 16 is not installed. In its place (6 places total) is protective cap 1401- 0044.

Figure 7. Auxiliary Flow Panel (HP 19246A) (Sheet 2 of 2).